

# Saramonic®

## Audio Mixer with Lavalier Microphone Kit

For DSLR cameras, GoPro cameras and iOS devices.



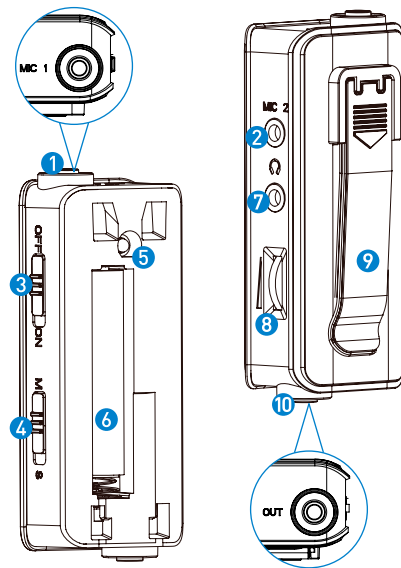
LavMic

### 1 General Introduction

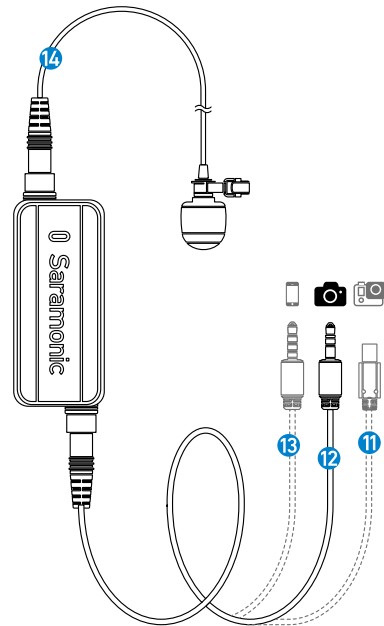
LavMic is an all-in-one solution for recording hands-free audio to your DSLR Cameras, GoPro cameras or iOS devices. It includes a 2.4m (7.87 ft.) clip-on omnidirectional condenser lavalier microphone, a two channel mini jack audio mixer, and three signal transmission cables. Two 1/8" (3.5 mm) mic inputs allow you to record audio to the left and right channel separately. The M/S switch allows you to select mono or stereo output mode. The headphone jack provides real-time audio monitoring.

### 2 Product Structure

- 1 MIC 1 input: 1/8" (3.5 mm) TRS screw lock microphone input.
- 2 MIC 2 input: 1/8" (3.5 mm) TRS microphone input.
- 3 ON/OFF power switch: main power switch.
- 4 Mono/Stereo switch: select mono or stereo output mode.
- 5 LED indicator: indicates the power on when the blue LED light up.
- 6 Battery compartment: compatible with AAA battery.
- 7 1/8" (3.5 mm) headphone jack: connect a headphone to monitor the audio.
- 8 Volume control wheel: adjust the headphone and recording volume.
- 9 Belt clip: attach LavMic to belt or camera strap.

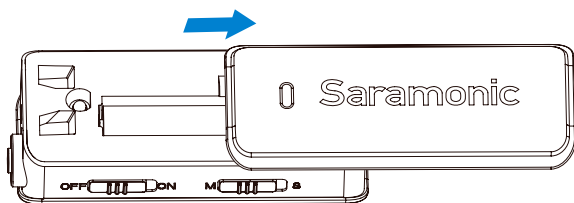


- 10 Audio output jack: one 1/8" (3.5 mm) stereo audio output.
- 11 LM-CC1: a 3.5mm to mini USB cable for connecting the LavMic to a GoPro cameras. Compatibility: GoPro cameras HERO3, HERO3 White Edition, HERO3+ Silver and Black Editions, HERO4 Silver and Black.
- 12 LM-GC1: a 3.5mm audio transmission cable for connecting the LavMic to a DSLR camera, camcorder or other recording devices with a microphone jack.
- 13 LM-PC1: a 3.5mm cable for connecting the LavMic to iPhone, iPad or iPod touch.
- 14 LM-M1: a 2.4 meters omnidirectional lavalier microphone.



### 3. Setup Guide

- ① Slide the cover in the direction of the arrow.



- ② Install an AAA battery and close the cover.
- ③ Connect the supplied lavalier microphone and/or another 3.5mm microphone to the Mic 1 and/or Mic 2 input.
- ④ Connect the LavMic to a camera or a smartphone by the supplied corresponding cable.
- ⑤ Turn the power switch to ON.
- ⑥ Set Mono/Stereo Switch: Select mono or stereo output mode.  
The mono mode is for one mono microphone recording. It can send the mono audio signal to each channel and mix together to output stereo audio signal.  
The stereo mode is for two channels recording, it provides two separate channels of audio.
- ⑦ Clip the LM-M1 lavalier microphone to your shirt near the collarband.
- ⑧ Plug a headphone into the headphone input to monitor the audio. Please make sure that both channels can be heard and adjust the volume control wheel if any distortion.
- ⑨ We suggest you could do a test recording and playback the audio to see if it is acceptable.

### 4. Specification

Inputs	1 x mic 1 1/8" (3.5 mm) jack for mono mics
	1 x mic 2 1/8" (3.5 mm) jack for mono mics
Output	1 x 1/8" (3.5 mm) output
Frequency Response	20Hz to 20kHz, +/-0.5 dB
THD	less than 0.03% @ 1kHz, -30 dBu input
SNR	73dB @ 1kHz, -30 dBu input
Inputs Gain Line	Mic 1: 20 dB
	Mic 2: 20 dB
Power Requirements	One AAA alkaline or lithium battery
Weight	107g (about 3.77 oz.)
Dimensions	8.3 x 2.7 x 3.5 cm

### 5. Compatibility

- ① Microphones with 3.5mm audio output:
  - Self-powered microphone.
  - Lavalier microphone operating on less than 3.3 volt.



**NOTE:** Different lavalier microphone with different voltage may cause different sound quality.

- ② DSLR cameras or camcorders with 3.5mm mini jack input.
- ③ GoPro cameras: HERO3, HERO3 White Edition, and HERO3+ Silver and Black Editions, HERO4 Silver and Black.
- ④ iPhone, iPad and iPod Touch.

### 3. Packing List

The LavMic unit  
Three cables: LM-CC1, LM-GC1, LM-PC1  
A lavalier microphone: LM-M1