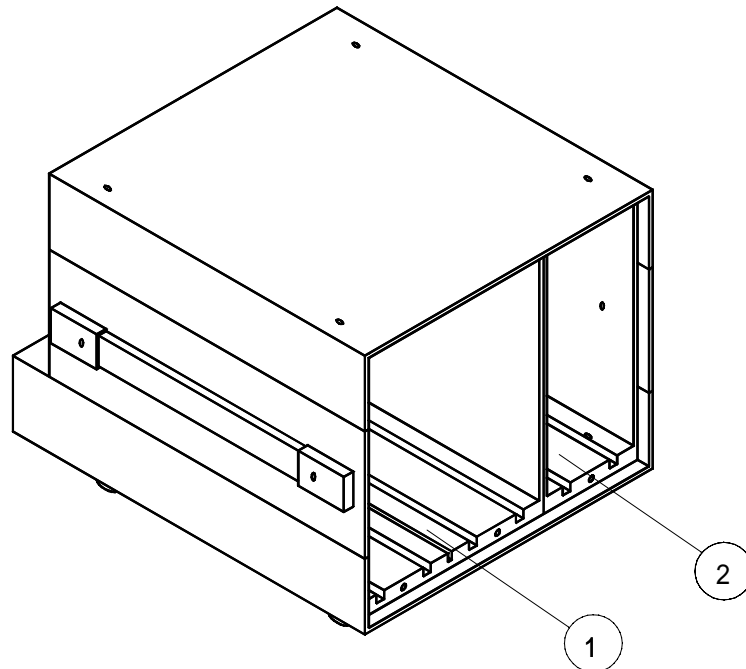


RPT 33 - PORTABLE MINIRACK



- 1) ROOM FOR THE RF-MODULE *CST36*
- 2) ROOM FOR THE POWER-SUPPLY MODULE (*PSS26 or PSS23*)