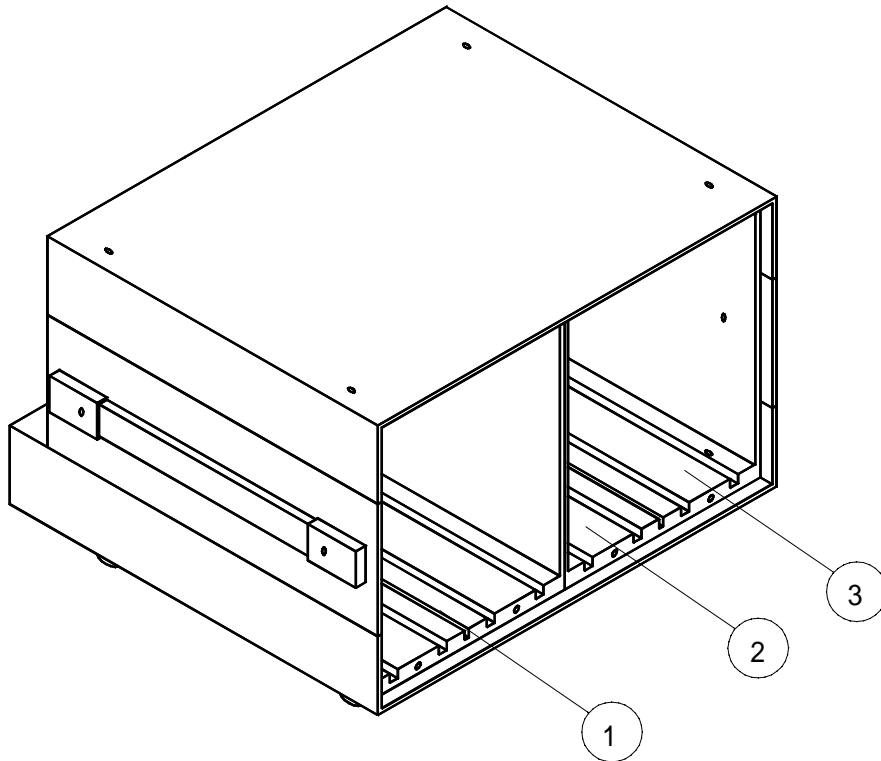


RPT 34 - PORTABLE MINIRACK



- 1) ROOM FOR CST36 TRANSMITTER MODULE
- 2) ROOM FOR RECEIVER MODULE (CSR50, CSR35, etc.)
- 3) ROOM FOR POWER SUPPLY MODULE (PSS26 or PSS23)