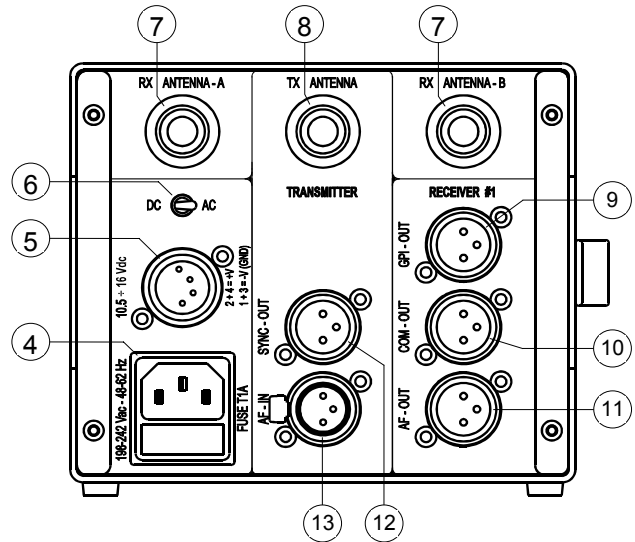
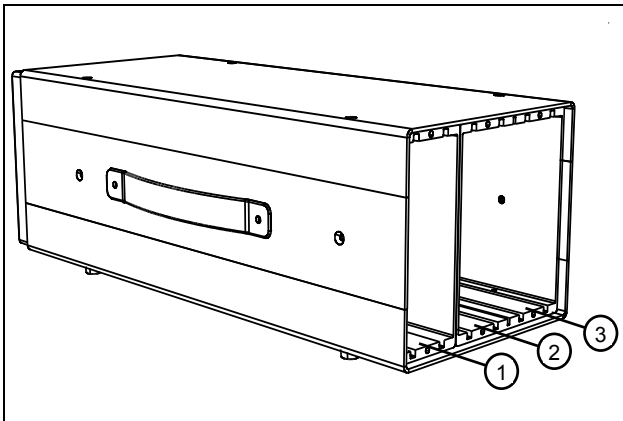


**HIGH-POWER, REPORTAGE WIRELESS-MICROPHONE SYSTEM  
RPT 923 - PORTABLE MINIRACK  
for Base Unit**



- 1) Slot for MSR 918 Receiver Module
- 2) Slot for CST 910 Transmitter Module
- 3) Slot for PSS 900 Power Supply Module.
- 4) Connector: mains power input (**AC**).
- 5) Connector: **DC** power input (• pins 1 & 3 = -V, ground; • pins 2 & 4 = +V)
- 6) Switch: **AC / DC** powering.
- 7) Connectors: receiver's antennas "**A**" & "**B**" inputs (for diversity mode). (N-female connectors).  
The power for the eventual RX active antennas can be fed trough the [7] connectors.  
This power can be switched on / off by the **BOOST** switch on the front-panel of the PSS900 Power Supply module.  
The max. current is controlled by a self-resetting limiter circuit.
- 8) Connector: transmitter's antenna output (N-female connector).
- 9) Connector: **receiver's GPI (General Purpose Interface) output**. (XLR3-M, male connector).  
(• pin 1 = ground; • pin 2 & 3 = relais dry contacts).  
The GPI output is working only if the MSR918 receiver is fitted with the optional ITC918 - PTT device.
- 10) Connector: **receiver's AF intercom line output** (XLR3-M, male connector).  
(• pin 1 = ground; • pin 2 & 3 = AF wires).  
The "AF intercom line" output is working only if the MSR918 receiver is fitted with the optional ITC918 - PTT device.
- 11) Connector: **receiver's AF main line output** (XLR3-M, male connector).  
(• pin 1 = ground; • pin 2 & 3 = AF wires).
- 12) Connector: **transmitter's composite-signal output** (XLR3-M, male connector - optional).  
The connector [12] is mounted only when the CST910 transmitter module is endowed with the optional board to be used as "*master transmitter*" in the *iso-frequency* working systems.
- 13) Connector: **transmitter's AF modulation line input** (XLR3-F, female connector).  
(• pin 1 = ground; • pin 2 & 3 = AF wires).