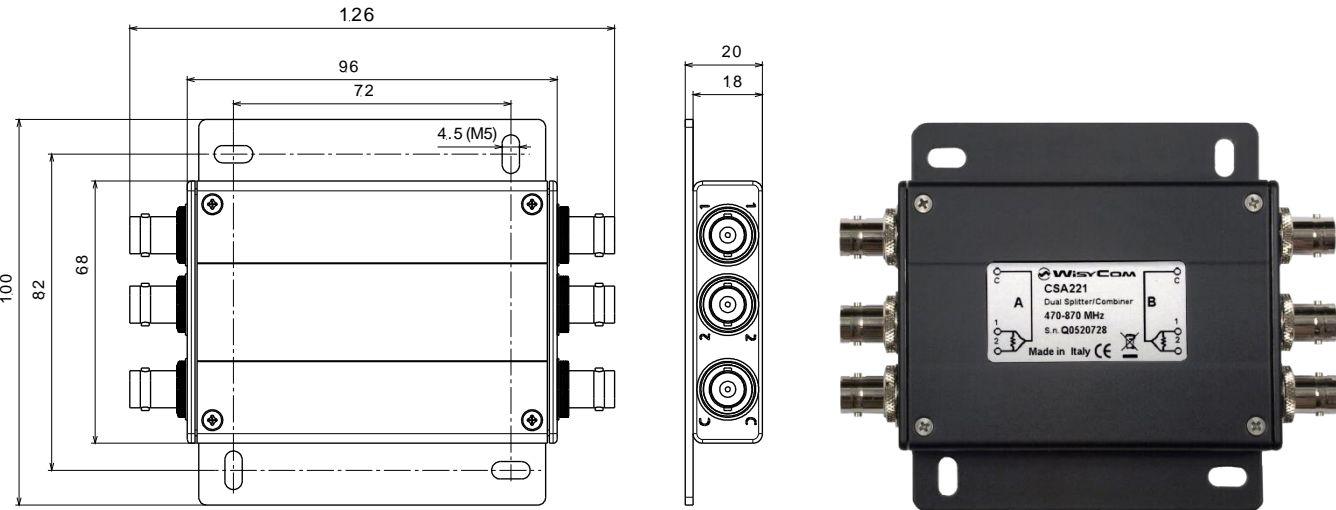


PASSIVE WIDEBAND COMBINER
PASSIVE WIDEBAND SPLITTER

→ 2 x 2:1
 → 2 x 1:2

CSA221 is designed to combine different areas, covered by antennas in diversity configuration. CSA221 is DC-coupled for use with antenna booster: it can handle up to 1.5 Amp without saturation for high power booster (BAW) powering. Mounting plate hole M5.



Instruction

Combining: Input are **[1]** & **[2]** → output **[C]** (combined signal)
Splitter: Input is **[C]** → output **[1]** & **[2]** (split signals)

Technical Data

- Connectors: 6 Bnc-F
- Splitter/Combiner loss: 4 dB
- Max current thru port: 1.5 A
- Bandwidth: 470 MHz – 870MHz
- Case: Aluminum, black varnish
- Weight: 220 g

